



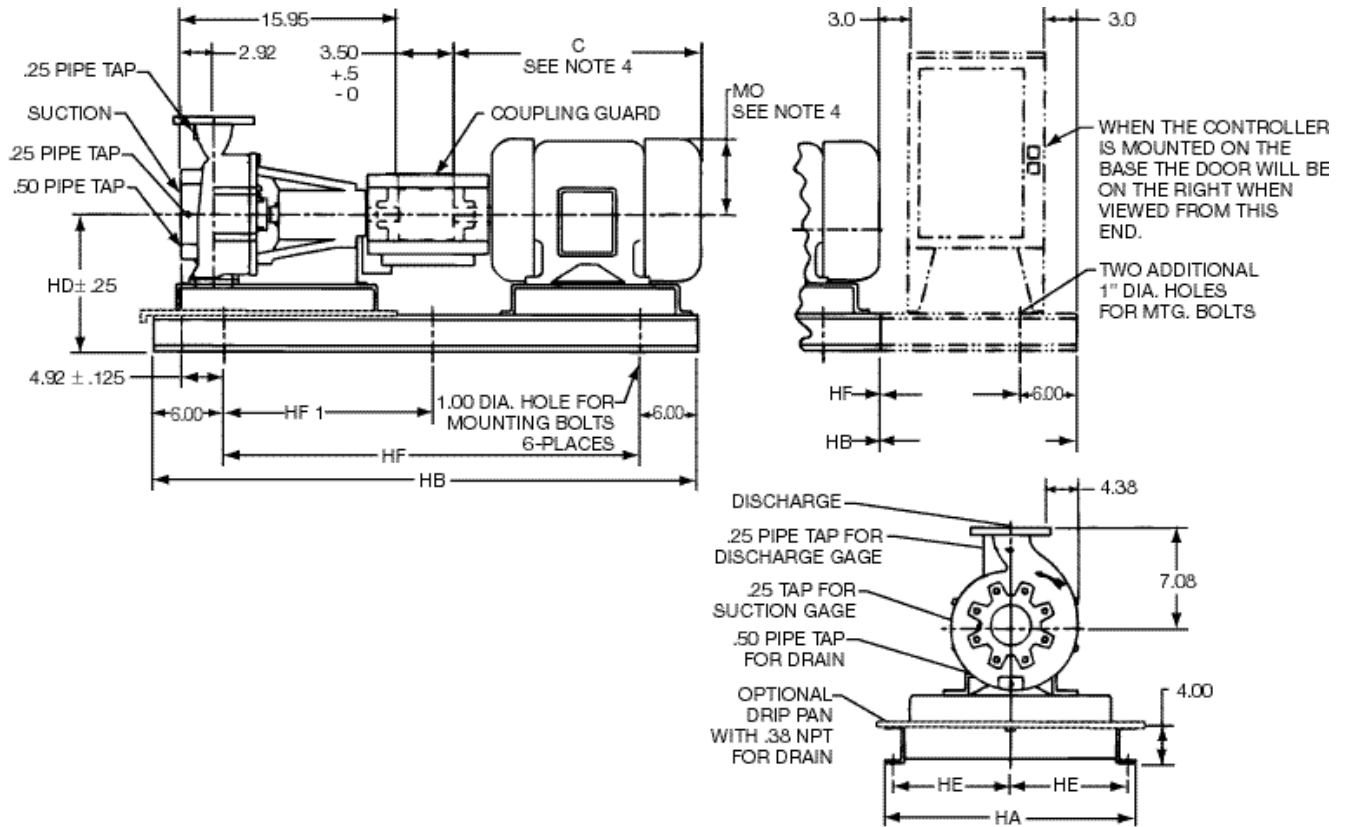
FIRE PUMP SYSTEMS
Dimensions
Motor Driven
3x2x6.5F
2000 Series

A-C Fire Pump Systems



FP 2.1

July 1999



MOTOR FRAMES	C	MO	HD	HA	HB	HE	HF ₁	HF
215	19.00	6.00	14.29	20.00	48.00	9.00	18.00	36.00
254	21.37	7.12						
256	23.12	7.12						
284	24.62	7.75						
286	26.12	7.75						
324	27.75	8.62						

NOTES

- All Dimensions are in inches with $\pm .125$ " tolerance unless otherwise specified.
- Suction and discharge connections are 125# ANSI B16.1 standard flanges. Holes in flanges straddle C . (See Note 6)
- Baseplate setting (before piping), grouting procedures and final alignment must be in accordance with ITT A-C Fire Pump Systems recommended procedures outlined in the Instruction Manual associated with this pump type.
- Motor dimensions are approximate for a given NEMA frame. Consult factory if space is limited.
- Both suction and discharge pipes must be supported independently near the pump to reduce strain on the pump casing. Also expansion joints, if used, must not exert force on casing.
- Coupling guard to meet ANSI/OSHA requirements.

NOT FOR CONSTRUCTION, INSTALLATION OR APPLICATION PURPOSES UNLESS CERTIFIED.									
CERTIFIED FOR:							APPROVAL		UL FM ULC <input type="checkbox"/> <input type="checkbox"/> <input type="checkbox"/>
CUSTOMER ORDER NO:			IDENTIFICATION NO:				FLANGES		
PUMP DATA	SIZE	MODEL	CURVE NO.	GPM	HEAD (FT)	ROTATION	SUCTION	FLANGES	
MOTOR DATA	HP	RPM	VOLTS	PHASE	HERTZ	FRAME SIZE	ENCLOSURE		
SHOP ORDER:			CERTIFIED BY:			DATE			