



# FIRE PUMP SYSTEMS

Dimensions  
In-Line 1580 Series  
3x3x9.5F - 300 GPM

A-C Pump

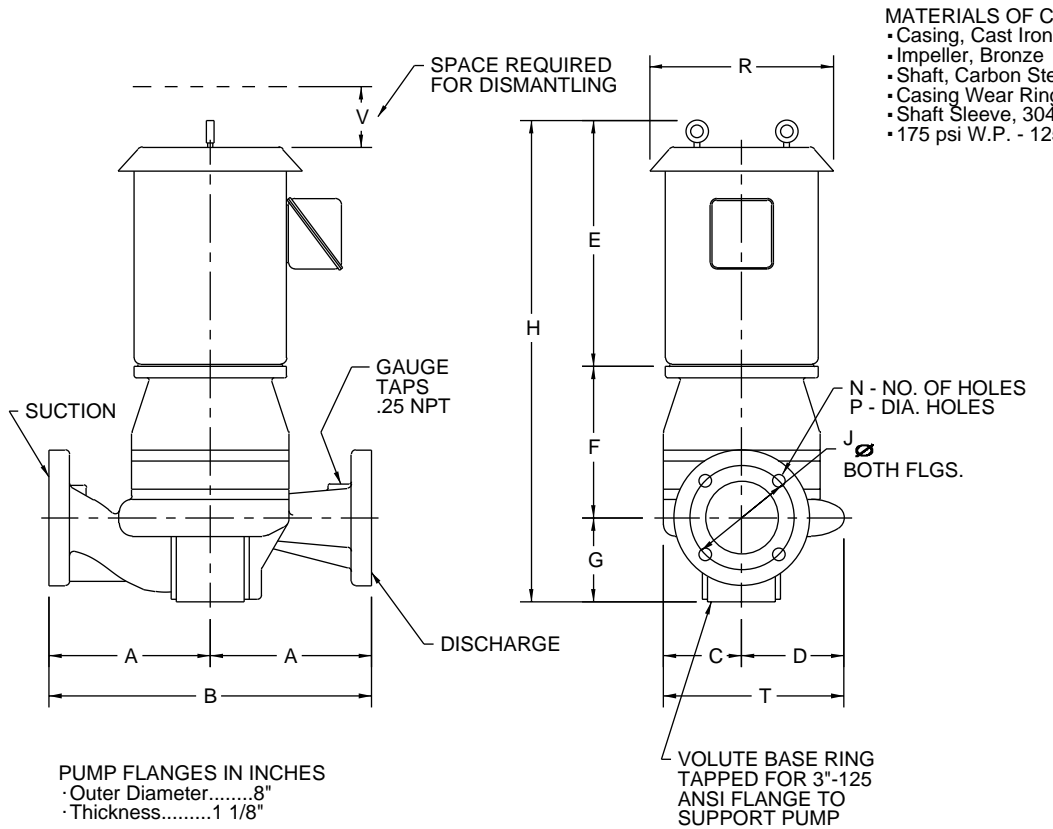


**FP 2.5**

Page 305

Dec. 1998

Supersedes all previous issues



**MATERIALS OF CONSTRUCTION:**

- Casing, Cast Iron
- Impeller, Bronze
- Shaft, Carbon Steel
- Casing Wear Ring, Bronze
- Shaft Sleeve, 304 Stainless Steel
- 175 psi W.P. - 125 ANSI flanges

PUMP FLANGES IN INCHES  
· Outer Diameter.....8"  
· Thickness.....1 1/8"

VOLUTE BASE RING  
TAPPED FOR 3"-125  
ANSI FLANGE TO  
SUPPORT PUMP

NOTE : ALL DIMENSIONS ARE SHOWN IN INCHES.

MOTOR FRAME	HP FOR 3 PH. MOTORS	A	B	C	D	(MAX) E	STD F	G	(MAX) STD H	125 ANSI			R	(MAX) **S	T	(MIN) V
										J	N	P				
284	30	11.5	23.0	6.6	7.5	22.6	8.7	6.1	37.4	6.0	4.0	0.8	16.1	5.4	14.1	4.5
286	40	11.5	23.0	6.6	7.5	24.1	8.7	6.1	38.9	6.0	4.0	0.8	16.1	5.3	14.1	4.5
324	50	11.5	23.0	6.6	7.5	26.0	8.7	6.1	40.9	6.0	4.0	0.8	18.8	5.6	14.1	4.5
326	60	11.5	23.0	6.6	7.5	26.0	8.7	6.1	40.9	6.0	4.0	0.8	18.8	6.9	14.1	4.5

\*\* For TEFC Motors add S dimension to dimension for E & H.

NOT FOR CONSTRUCTION, INSTALLATION OR APPLICATION PURPOSES UNLESS CERTIFIED.							
FOR				APPROVAL UI <input type="checkbox"/> ULC <input type="checkbox"/>			
CUST. ORDER NO.				IDENT. NO.			
PUMP DATA	SIZE	TYPE	CURVE NO.	GPM	HEAD	ROTATION	FLANGES
	CW						
MOTOR DATA	HP	RPM	VOLTS	PHASE	HERTZ	FRAME SIZE	ENCLOSURE
SHOP ORDER		CERTIFIED BY				DATE	

SA-60981