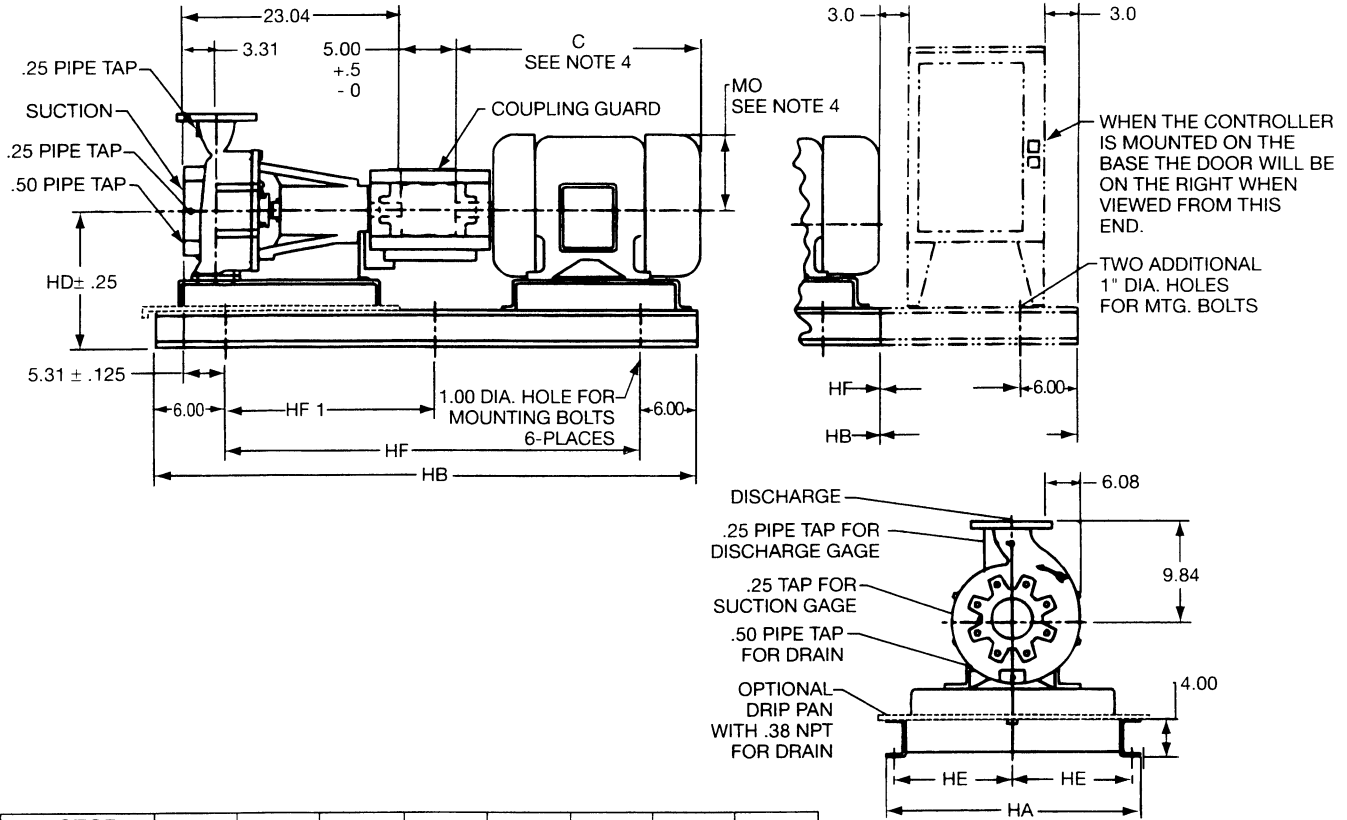




July 1999



MOTOR FRAMES	C	MO	HD	HA	HB	HE	HF ₁	HF
284	24.62	7.75	16.33	21.50	64.00	9.75	26.00	52.00
286	26.12	7.75						
324	27.75	8.62						
326	29.25	8.62						
364	30.87	9.25						
365	31.87	9.25						
404	36.38	10.37						
405	37.88	10.37						

NOTES

- All Dimensions are in inches with ± .125" tolerance unless otherwise specified.
- Suction and discharge connections are 125# ANSI B16.1 standard flanges. Holes in flanges straddle \perp . (See Note 6)
- Baseplate setting (before piping), grouting procedures and final alignment must be in accordance with ITT A-C Fire Pump Systems recommended procedures outlined in the Instruction Manual associated with this pump type.
- Motor dimensions are approximate for a given NEMA frame. Consult factory if space is limited.
- Both suction and discharge pipes must be supported independently near the pump to reduce strain on the pump casing. Also expansion joints, if used, must not exert force on casing.
- Coupling guard to meet ANSI/OSHA requirements.

NOT FOR CONSTRUCTION, INSTALLATION OR APPLICATION PURPOSES UNLESS CERTIFIED.									
CERTIFIED FOR:							APPROVAL		
							UL	FM	ULC
							<input type="checkbox"/>	<input type="checkbox"/>	<input type="checkbox"/>
CUSTOMER ORDER NO:			IDENTIFICATION NO:				FLANGES		
PUMP DATA	SIZE	MODEL	CURVE NO.	GPM	HEAD (FT)	ROTATION	SUCTION	FLANGES	
MOTOR DATA	HP	RPM	VOLTS	PHASE	HERTZ	FRAME SIZE	ENCLOSURE		
SHOP ORDER:			CERTIFIED BY:			DATE			