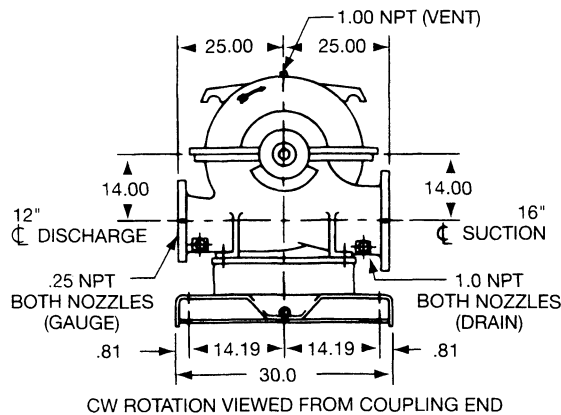
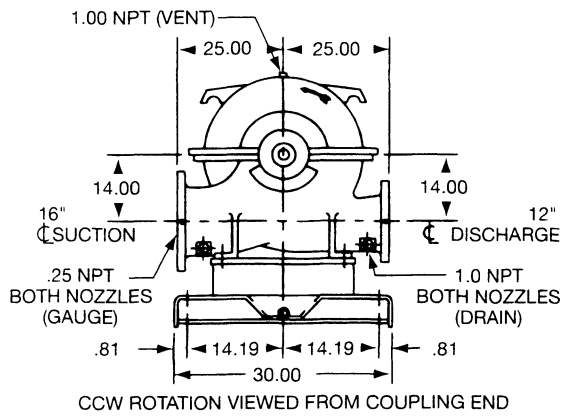
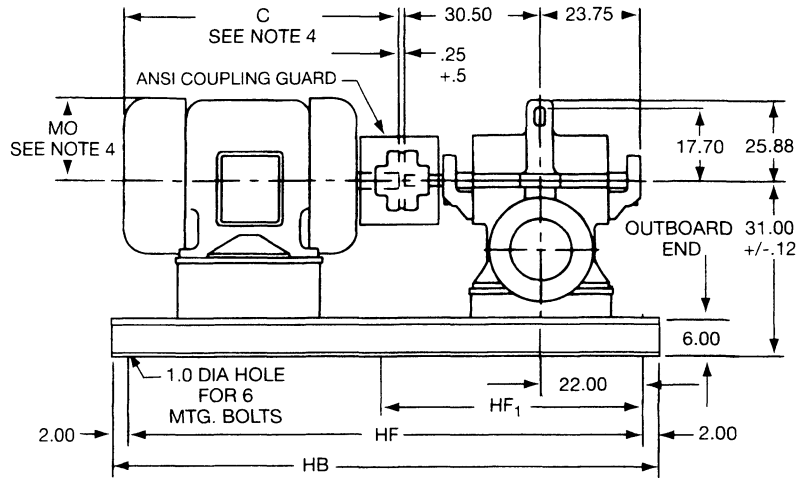
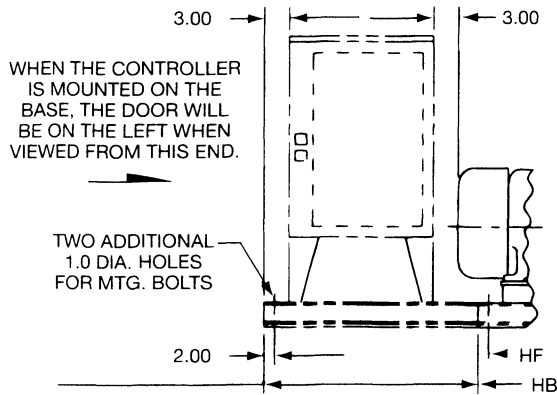




FIRE PUMP SYSTEMS
Dimensions
Motor Driven
16x12x23F 9100 Series
3000, 3500, 4500 & 5000 GPM

A-C Fire Pump Systems



MOTOR FRAMES	C	HB	HF	HF ₁	MO
444T & TS	43.9	96.0	92.0	46.0	11.8
445T & TS	45.9	96.0	92.0	46.0	11.8
447T & TS	49.4	96.0	92.0	46.0	11.8
449T	54.6	105.0	101.0	50.5	11.8
449TS	50.9	96.0	92.0	46.0	11.8
5009S WPI	50.5	115.0	101.0	55.5	12.4
5807S TEFC	58.5	115.0	101.0	55.5	15.5
5809S TEFC	65.5	125.0	121.0	60.5	15.5

NOTES

- All Dimensions are in inches.
- Suction and discharge connections are 125 ANSI B16.1 standard flanges. Holes in flanges straddle $\text{\textcircled{C}}$.
- Baseplate setting (before piping) grouting procedures and final alignment must be in accordance with ITT A-C Pump recommended procedures outlined in the Instruction Manual associated with this pump type.
- Motor dimensions are approximate for a given NEMA frame. Consult factory if space is limited.
- Both suction and discharge pipes must be supported independently near the pump to reduce strain on the pump casing. Also expansion joints if used must not exert force on casing.

NOT FOR CONSTRUCTION, INSTALLATION OR APPLICATION PURPOSES UNLESS CERTIFIED.							
CERTIFIED FOR:						UL FM ULC APPROVAL <input type="checkbox"/> <input type="checkbox"/> <input type="checkbox"/>	
CUSTOMER ORDER NO:				IDENTIFICATION NO:			
PUMP DATA	SIZE & TYPE	MODEL	CURVE NO.	GPM	HEAD (PSI)	ROTATION	FLANGES
MOTOR DATA	HP	RPM	VOLTS	PHASE	HERTZ	FRAME SIZE	ENCLOSURE
SHOP ORDER:			CERTIFIED BY:			DATE	