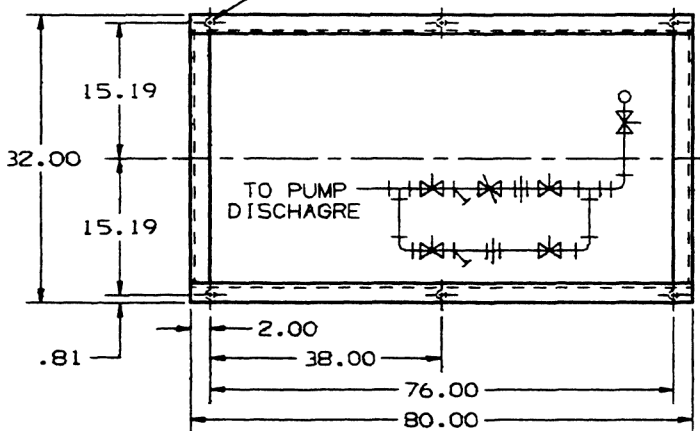


(6) 1.0 DIA. HOLES
 BOTTOM FLG. ONLY



ENGINE BASE DETAIL

ENGINE CONNECTIONS	
ITEM NO.	DESCRIPTION
①	EXHAUST 6.0 FLANGE
②	FUEL SUPPLY .38 NPT *
③	FUEL RETURN .38 NPT *
④	WATER INLET 2.00 NPT *
⑤	WATER OUTLET 2.00 NPT *
⑥	HEATER JUNCTION BOX
ENGINE SHAFT DIA. - KEYWAY	
3.375 - .75 X .38	

* FAR SIDE

NOTES:

1. ALL DIMENSIONS ARE IN INCHES.
2. FOUNDATION BOLTS ARE NOT SUPPLIED.
3. HEAT EXCHANGER LOOP BY ITT A-C PUMP. PIPING FROM DISCHARGE TO ENGINE HEAT EXCHANGER LOOP, TO GEAR BOX AND FROM ENGINE HEAT EXCHANGER TO DRAIN BY OTHERS.
4. HEATER VOLTAGE REQUIREMENTS: 120/240V, 3000 WATT (UNLESS OTHERWISE SPECIFIED) (DO NOT ENERGISE UNTIL ENGINE COOLANT HAS BEEN INSTALLED.)

NOT FOR CONSTRUCTION INSTALLATION OR APPLICATION PURPOSES UNLESS CERTIFIED							
CERTIFIED FOR:							
CUSTOMER ORDER NUMBER:							
ENGINE DATA	MAKE	MODEL	USABLE BHP	RPM	VOLTAGE	POLARITY	WEIGHT
	CATERPILLAR				24	NEGATIVE	

DIMENSIONS