



ITT

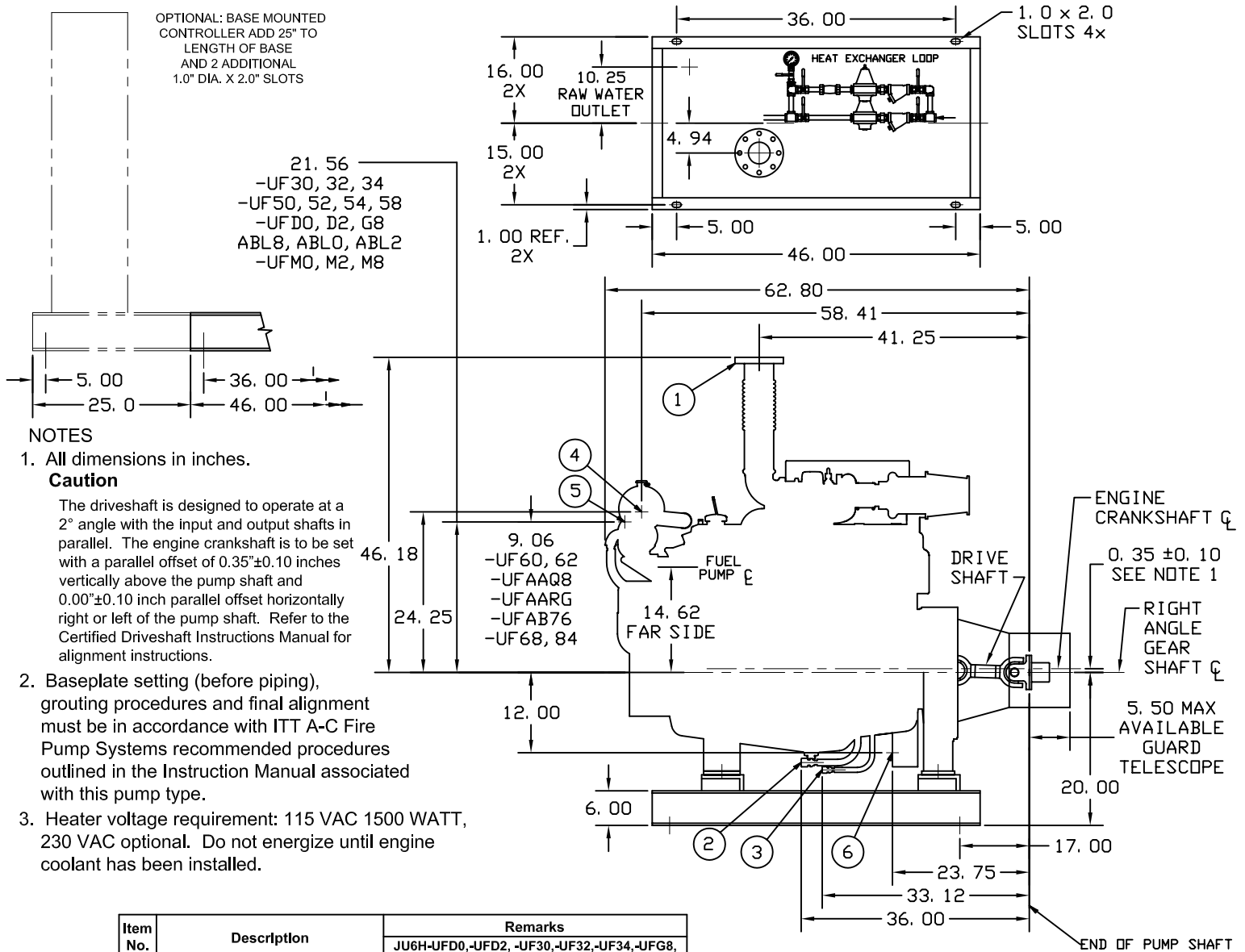
A-C FIRE PUMP SYSTEMS DIMENSIONS – CLARKE FIRE PROTECTION ENGINE MODEL – JU6H SERIES TIER 1 VERTICAL TURBINE FIRE PUMP

FP 2.4

PAGE 409

NOVEMBER 09

SUPERSEDES ALL PREVIOUS ISSUES



| Item No. | Description | Remarks |
|----------|--------------------------------------|---|
| | | JU6H-UFD0,-UFD2,-UF30,-UF32,-UF34,-UFG8,-UFABL8,-UFABL0,-UFABL2,-UFM0,-UFM8,-UFM2,-UF58,-UF54,-UF52,-UF50,-UF60,-UF62,-UFAAQ8,-UFAARG,-UF68,-UFAB76,-UF84 |
| ① | Exhaust Outlet Conn. | 5" 150# Flange |
| ② | Fuel Supply Conn. (Flexible Hose) | 1/2" NPTF Farside |
| ③ | Fuel Return Conn. (Flexible Hose) | 3/8" NPTF Farside |
| ④ | Raw Water-Outlet (Farside) | 1" NPTF |
| ⑤ | Raw Water-Inlet (Pre-Piped)(Farside) | 1" NPTF |
| ⑥ | Heater Junction Box (Farside) | See Note 3 |

| NOT FOR CONSTRUCTION, INSTALLATION OR APPLICATION PURPOSES UNLESS CERTIFIED. | | | | | | | | | |
|--|--------|-------|---------------|-----|------------|--------------|--------------------|-----------|-----------|
| CERTIFIED FOR: | | | | | | | APPROVAL | | UL FM ULC |
| CUSTOMER ORDER NO: | | | | | | | IDENTIFICATION NO: | | FLANGES |
| PUMP DATA | SIZE | MODEL | CURVE NO. | GPM | HEAD (FT.) | ROTATION | SUCTION | DISCHARGE | |
| | | | | | | | CCW | | |
| ENGINE DATA | MAKE | MODEL | HP | RPM | VOLTAGE | POLARITY | MAX ALTITUDE | | |
| | CLARKE | | | | | NEG. | | | |
| SHOP ORDER: | | | CERTIFIED BY: | | | TOTAL WEIGHT | | DATE: | |