



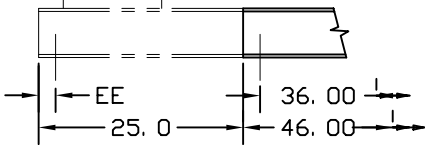
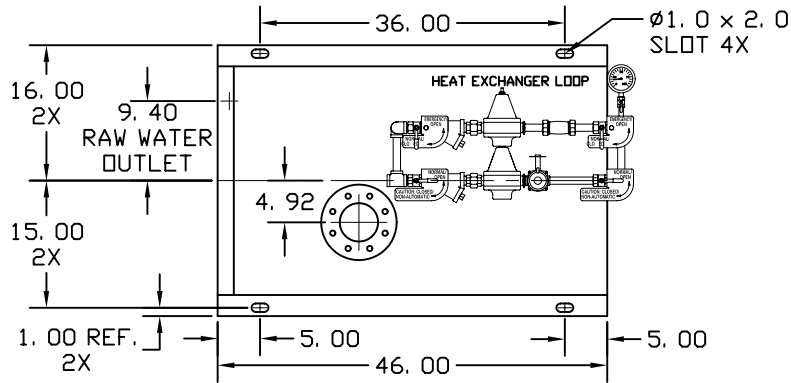
ITT

A-C FIRE PUMP SYSTEMS
 Dimensions – Clarke Fire Protection Products
 Engine Model – JU6H SERIES TIER 3
 Vertical Turbine Fire Pumps

February 09

Supersedes all previous issues

OPTIONAL: BASE MOUNTED CONTROLLER ADD 25" TO LENGTH OF BASE AND 2 ADDITIONAL 1.0" DIA. X 2.0" SLOTS



NOTES

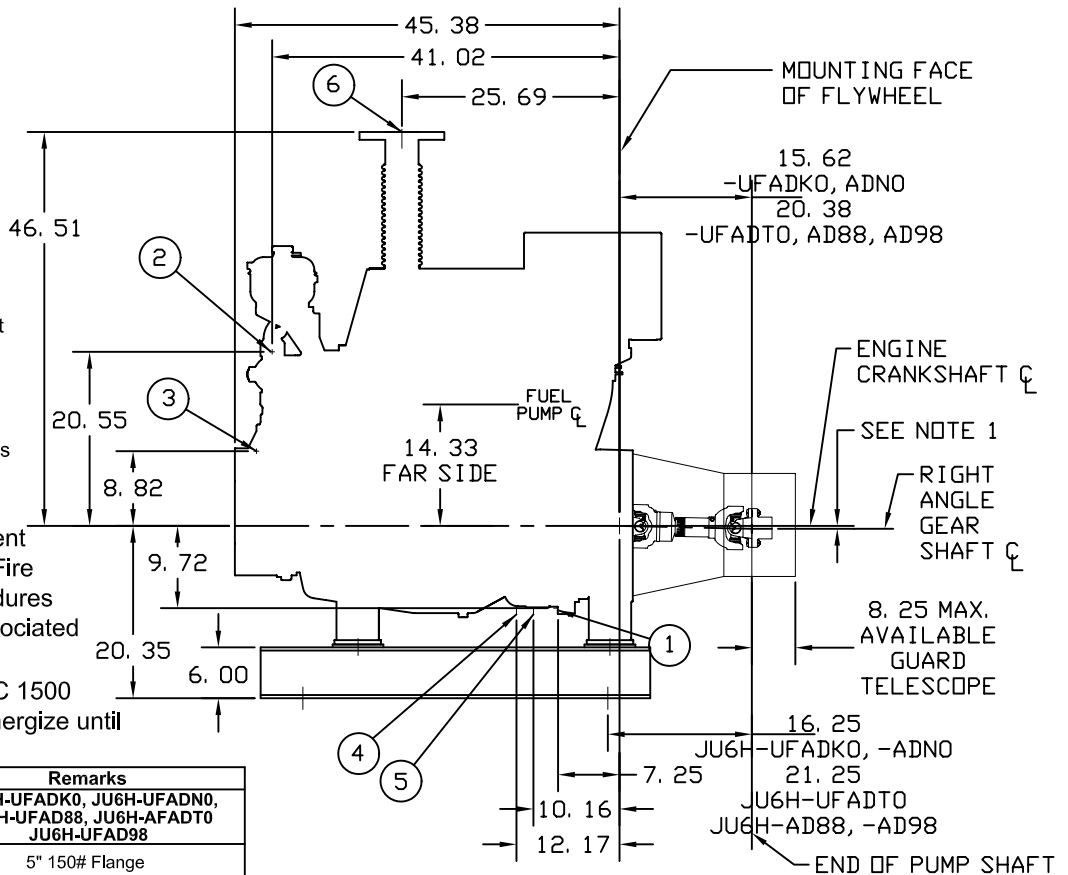
1. All dimensions in inches.

Caution

The driveshaft is designed to operate at a 2° angle with the input and output shafts in parallel. The engine crankshaft is to be set with a parallel offset of (see table below) ±0.10 inches vertically above the pump shaft and 0.00"±0.10 inch parallel offset horizontally right or left of the pump shaft. Refer to the Certified Driveshaft Instructions Manual for alignment instructions.

2. Baseplate setting (before piping), grouting procedures and final alignment must be in accordance with ITT A-C Fire Pump Systems recommended procedures outlined in the Instruction Manual associated with this pump type.

3. Heater voltage requirement: 115 VAC 1500 WATT, 230 VAC optional. Do not energize until engine coolant has been installed.



Item No.	Description	Remarks
		JU6H-UFADKO, JU6H-UFADNO, JU6H-UFAD88, JU6H-UFADTO, JU6H-UFAD98
⑥	Exhaust Outlet Conn.	5" 150# Flange
⑤	Fuel Return Conn. (Flexible Hose)	3/8" NPTF
④	Fuel Return Conn. (Flexible Hose)	1/2" NPTF
③	Raw Water-Inlet (Pre-Piped) (Farside)	1" NPTF
②	Raw Water-Outlet (Farside)	1" NPTF
①	Heater Junction Box (Farside)	See Note 3

UL LISTED DRIVESHAFTS		
ENGINE MODEL	MODEL	OFFSET DIMENSION
JU6H-UFADKO JU6H-UFADNO	CDS30-S1	0.35"
JU6H-UFADTO JU6H-UFAD88 JU6H-UFAD98	CDS50-SC	0.45"

NOT FOR CONSTRUCTION, INSTALLATION OR APPLICATION PURPOSES UNLESS CERTIFIED.

CERTIFIED FOR:							APPROVAL	
							UL FM ULC <input type="checkbox"/> <input type="checkbox"/> <input type="checkbox"/>	
CUSTOMER ORDER NO:			IDENTIFICATION NO:				FLANGES	
PUMP DATA	SIZE	MODEL	CURVE NO.	GPM	HEAD (FT.)	ROTATION	SUCTION	DISCHARGE
						CW		
ENGINE DATA	MAKE	MODEL	HP	RPM	VOLTAGE	POLARITY	MAX ALTITUDE	
	CLARKE					NEG.		
SHOP ORDER:			CERTIFIED BY:			TOTAL WEIGHT		DATE: