



ITT

A-C FIRE PUMP SYSTEMS

Dimensions – Clarke Fire Protection Products
 Engine Model – JW6H SERIES TIER 1
 Vertical Turbine Fire Pumps

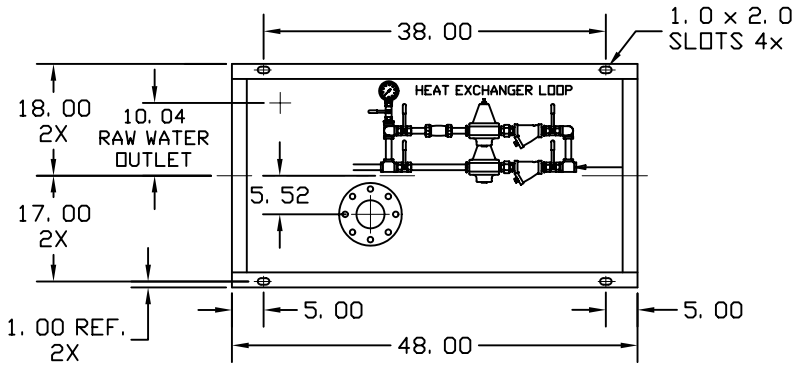
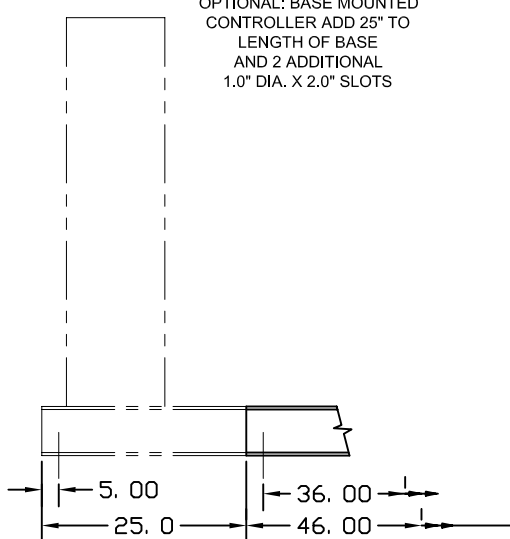
FP 2.3

Page 411

February 09

Supersedes all previous issues

OPTIONAL: BASE MOUNTED
 CONTROLLER ADD 25" TO
 LENGTH OF BASE
 AND 2 ADDITIONAL
 1.0" DIA. X 2.0" SLOTS

**NOTES**

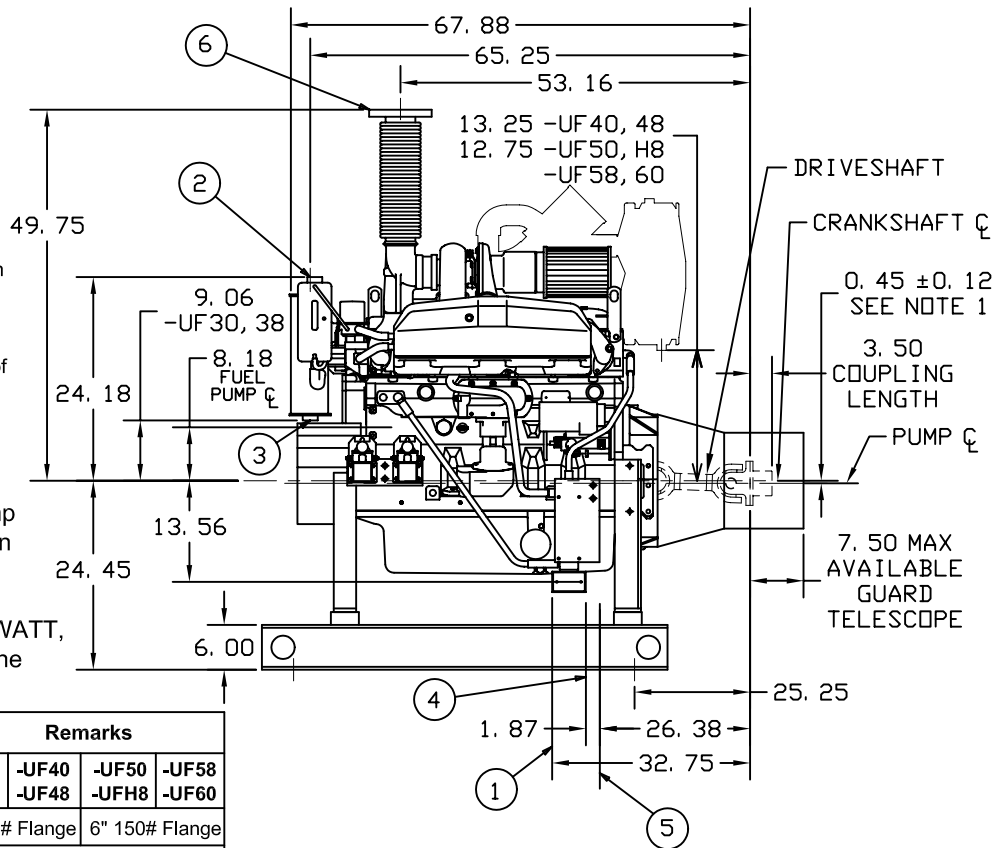
1. All dimensions in inches.

Caution:

The driveshaft is designed to operate at a 2° angle with the input and output shafts in parallel. The engine crankshaft is to be set with a parallel offset of 0.45±0.11 inches vertically above the pump shaft and 0.00±0.11 inch parallel offset horizontally right or left of the pump shaft. Refer to the Certified Driveshaft Instructions Manual for alignment instructions.

2. Baseplate setting (before piping), grouting procedures and final alignment must be in accordance with ITT A-C Fire Pump Systems recommended procedures outlined in the Instruction Manual associated with this pump type.

3. Heater voltage requirement: 230 VAC 2500 WATT, 115 VAC optional. Do not energize until engine coolant has been installed.



Item No.	Description	Remarks					
		-UF30 -UF38	-UF40 -UF48	-UF50 -UF58	-UF58 -UF60	-UF58 -UF60	-UF60
⑥	Exhaust Outlet Conn.	5" 150# Flange		6" 150# Flange			
⑤	Fuel Supply Conn.	1/2" NPTF Farside					
④	Fuel Return Conn.	3/8" NPTF Farside					
③	Raw Water-Inlet	1" NPTF					
②	Raw Water-Outlet	1 1/4" NPTF					
①	Heater Junction Box	See Note 6					

LISTED DRIVESHAFT	
ENGINE MODEL	DRIVESHAFT MODEL
ALL JW6H	CDS50-SC

NOT FOR CONSTRUCTION, INSTALLATION OR APPLICATION PURPOSES UNLESS CERTIFIED.

CERTIFIED FOR:							APPROVAL		UL	FM	ULC
									<input type="checkbox"/>	<input type="checkbox"/>	<input type="checkbox"/>
CUSTOMER ORDER NO:				IDENTIFICATION NO:				FLANGES			
PUMP DATA	SIZE	MODEL	CURVE NO.	GPM	HEAD (FT.)	ROTATION	SUCTION	DISCHARGE			
						CW					
ENGINE DATA	MAKE	MODEL	HP	RPM	VOLTAGE	POLARITY	MAX ALTITUDE				
	CLARKE					NEG.					
SHOP ORDER:			CERTIFIED BY:			TOTAL WEIGHT			DATE:		