

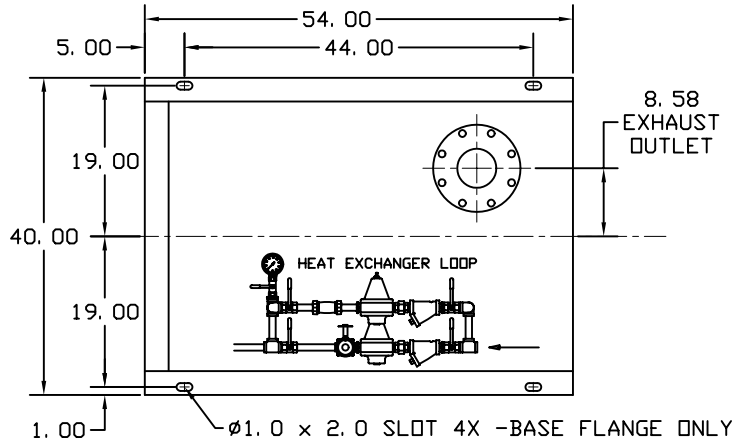
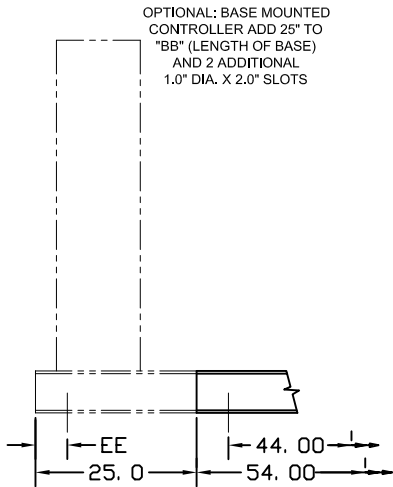


ITT

A-C FIRE PUMP SYSTEMS
Dimensions – Clarke Fire Protection Products
Engine Model – JX6H SERIES TIER 1
Vertical Turbine Fire Pumps

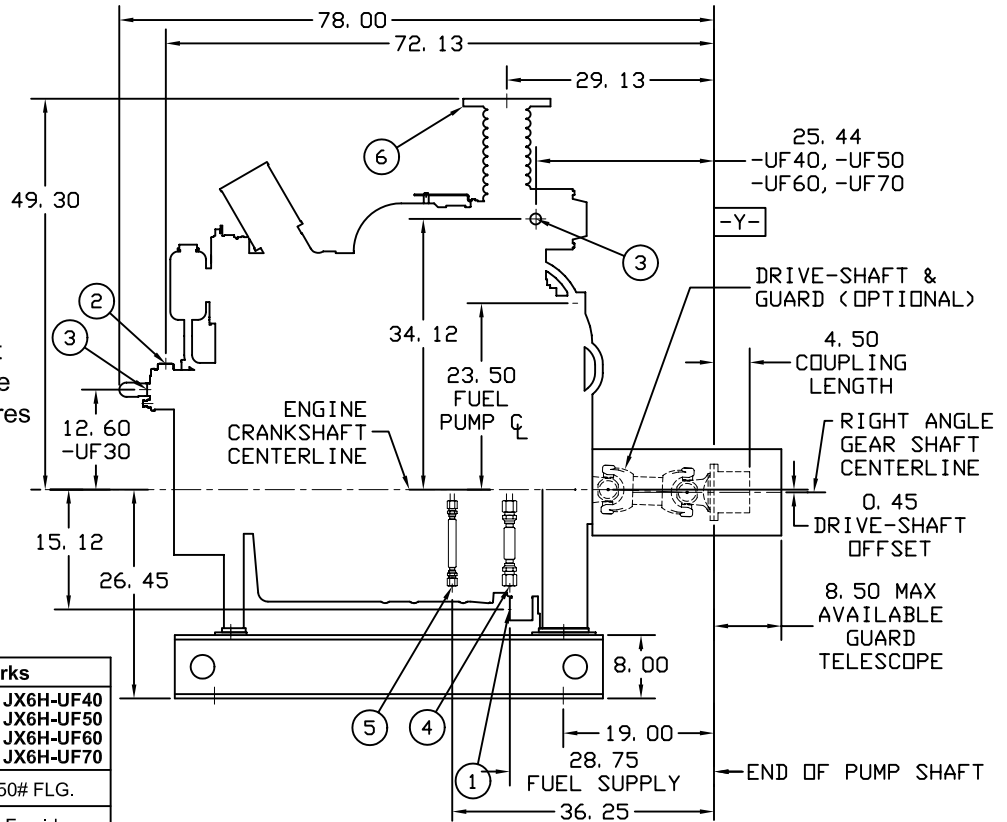
February 09

Supersedes all previous issues



NOTES

- All dimensions in inches.
Caution: The driveshaft is not designed to operate at 0° angle. The engine crankshaft is to be a parallel offset 0.45 ±0.12 inch above the pump shaft. The engine crankshaft may be parallel offset from the pump shaft 0.45 inch right or left. Refer to the engine manual for alignment.
- Baseplate setting (before piping), grouting procedures and final alignment must be in accordance with ITT A-C Fire Pump Systems recommended procedures outlined in the Instruction Manual associated with this pump type.
- Heater voltage requirement: 230 VAC 2500 WATT, 115 VAC optional. Do not energize until engine coolant has been installed.



| Item No. | Description | Remarks | |
|----------|---|--------------------|--|
| | | JX6H-UF30 | JX6H-UF40 JX6H-UF50 JX6H-UF60 JX6H-UF70 |
| ⑥ | Exhaust Outlet Conn. | 6" or 8" 150# FLG. | |
| ⑤ | Fuel Return Conn. (Shipped Loose) (Flexible Hose) (Farside) | 1/2" NPTF Farside | |
| ④ | Fuel Supply Conn. (Shipped Loose) (Flexible Hose) (Farside) | 3/4" NPTF Farside | |
| ③ | Raw Water-Inlet (Pre-Piped) (Farside) | 1" NPTF | 1-1/4" NPTF |
| ② | Raw Water-Outlet | 1-1/4" NPTF | |
| ① | Heater Junction Box | See Note 6 | |

| UNIVERSAL DRIVESHAFT | |
|----------------------|------------------|
| ENGINE MODEL | DRIVESHAFT MODEL |
| ALL JX6H | CDS60-SC |

| NOT FOR CONSTRUCTION, INSTALLATION OR APPLICATION PURPOSES UNLESS CERTIFIED. | | | | | | | | | |
|--|--------|-------|--------------------|-----|------------|--------------|--------------|-----------|-----|
| CERTIFIED FOR: | | | | | | | APPROVAL | | |
| | | | | | | | UL | FM | ULC |
| CUSTOMER ORDER NO: | | | IDENTIFICATION NO: | | | | FLANGES | | |
| PUMP DATA | SIZE | MODEL | CURVE NO. | GPM | HEAD (FT.) | ROTATION | SUCTION | DISCHARGE | |
| | | | | | | | CW | | |
| ENGINE DATA | MAKE | MODEL | HP | RPM | VOLTAGE | POLARITY | MAX ALTITUDE | | |
| | CLARKE | | | | | | NEG. | | |
| SHOP ORDER: | | | CERTIFIED BY: | | | TOTAL WEIGHT | | DATE: | |