

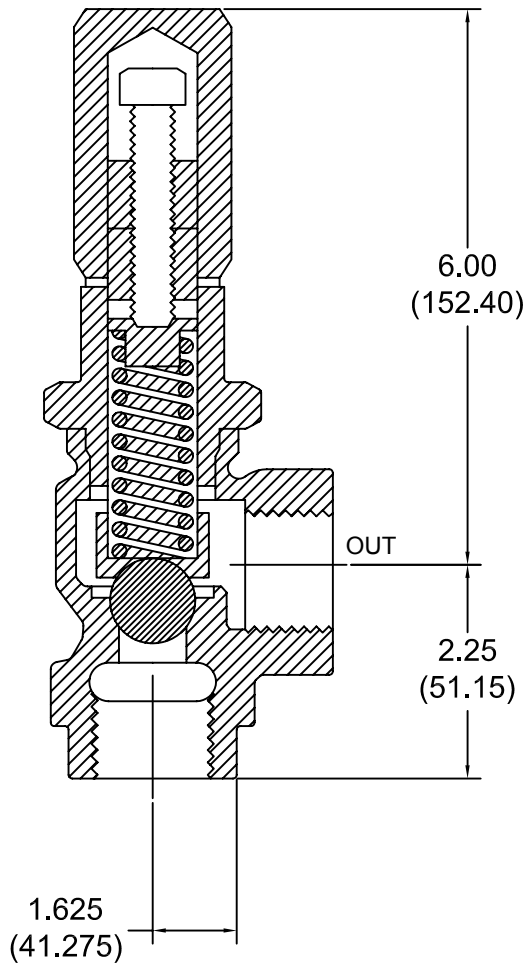


August 07

Supersedes all previous issues

### CASING RELIEF VALVE

<b>MODEL</b>	R SERIES
<b>SIZE</b>	1" IN / OUT
<b>CONNECTION</b>	NPT
<b>FLOW RANGE</b>	3000-5000 GPM
<b>PRESSURE RANGE</b>	75-300 PSI
<b>BODY &amp; SEAT MATERIAL</b>	BRONZE
<b>VALVE MATERIAL</b>	STAINLESS STEEL
<b>MAX INLET PRESSURE</b>	300 PSI
<b>WEIGHT</b>	3 LBS



<b>NOT FOR CONSTRUCTION, INSTALLATION OR APPLICATION PURPOSES UNLESS CERTIFIED</b>		
CERTIFIED FOR:		
CUSTOMER ORDER NO.:	TAG NO.	
SHOP ORDER:	CERTIFIED BY:	DATE:

DIMENSIONS IN INCHES (mm)



**ITT**

**A-C FIRE PUMP SYSTEMS**

Dimensions - Fire Pump Fittings &  
Accessories

**FP 2.7**

Page 305

August 07

---

Supersedes all previous issues

## **CASING RELIEF VALVE**