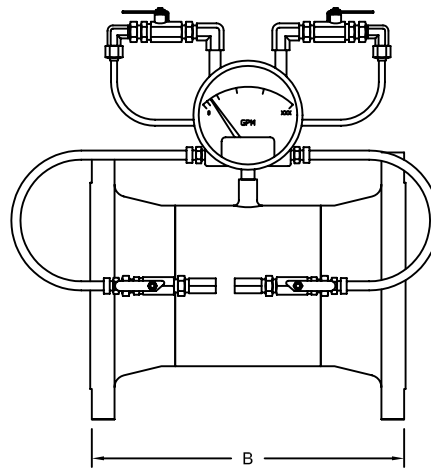
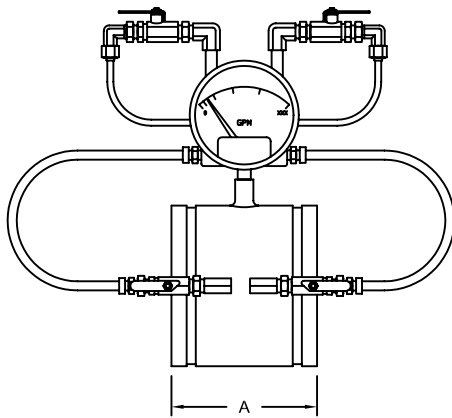




August 07

Supersedes all previous issues

**FLOWMETER**



GPM	VENTURI SYSTEM MODEL NO.	PIPE SIZE	METER RANGE MIN. & MAX. GPM	A		B	
				VENTURI LENGTH		150 # (RF)	300 # (RF)
				GROOVED	BUTT WELD		
25	K-25-1-1/4(616)	1-1/4"	12.5-50	Threaded only 3-3/4 (92.25)		---	---
50	K-50-2(685)	2"	25-100	Threaded only 4-1/4 (120.65)		---	---
100	K-100-2-1/2(746)	2-1/2"	50-200	3.00 (76.2)	4.00 (101.6)	9.50 (241.3)	10.00 (254)
150	K-150-3(766)	3"	75-300	3.50 (88.9)	4.38 (111.125)	9.00 (228.6)	10.25 (260.35)
200	K-200-3(766)	3"	100-400	3.50 (88.9)	4.38 (111.125)	9.00 (228.6)	10.25 (260.35)
250	K-250-4(744)	4"	125-500	3.50 (88.9)	3.75 (95.25)	9.50 (241.3)	10.75 (273.05)
300	K-300-4(744)	4"	150-600	3.50 (88.9)	3.75 (95.25)	9.50 (241.3)	10.75 (273.05)
450	K-450-4(744)	4"	225-900	3.50 (88.9)	3.75 (95.25)	9.50 (241.3)	10.75 (273.05)
500	K-500-5(715)	5"	250-1000	5.00 (127)		12.00 (304.8)	13.25 (336.55)
500	K-500-6(743)	6"	250-1000	6.00 (152.4)		13.00 (330.2)	14.25 (361.95)
750	K-750-6(743)	6"	375-1500	6.00 (152.4)		13.00 (330.2)	14.25 (361.95)
1000	K-1000-6(743)	6"	500-2000	6.00 (152.4)		13.00 (330.2)	14.25 (361.95)
1250	K-1250-6(743)	6"	625-2500	6.00 (152.4)		13.00 (330.2)	14.25 (361.95)
1500	K-1500-8(750)	8"	750-3000	7.00 (177.8)		15.00 (381)	16.25 (412.75)
2000	K-2000-8(750)	8"	1000-4000	7.00 (177.8)		15.00 (381)	16.25 (412.75)
2500	K-2500-8(750)	8"	1250-5000	7.00 (177.8)		15.00 (381)	16.25 (412.75)
3000	K-3000-8(750)	8"	1500-6000	7.00 (177.8)		15.00 (381)	16.25 (412.75)
3500	K-3500-10(755)	10"	1750-7000	8.00 (203.2)		16.00 (406.4)	17.75 (450.85)
4000	K-4000-10(755)	10"	2000-8000	8.00 (203.2)		16.00 (406.4)	17.75 (450.85)
4500	K-4500-10(755)	10"	2250-9000	8.00 (203.2)		16.00 (406.4)	17.75 (450.85)
5000	K-2000-12(750)	12"	2500-9000	12.00 (304.8)		21.00 (533.4)	22.75 (577.85)

Factory Mutual Approved.

<b>NOT FOR CONSTRUCTION, INSTALLATION OR APPLICATION PURPOSES UNLESS CERTIFIED</b>		
CERTIFIED FOR:		
CUSTOMER ORDER NO.:	TAG NO.	
SHOP ORDER:	CERTIFIED BY:	DATE:

DIMENSIONS IN INCHES (mm)