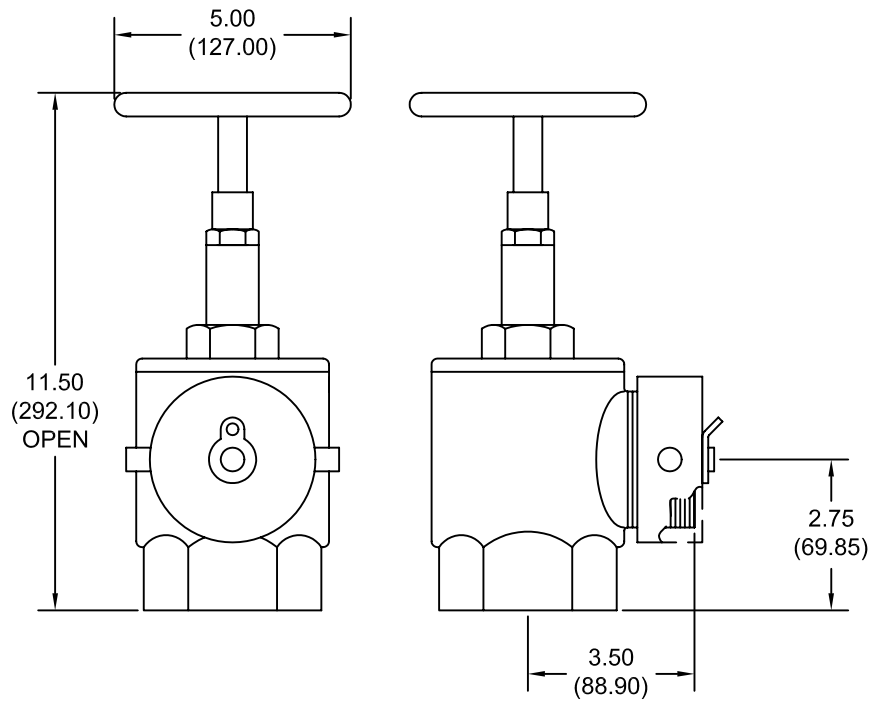




# ITT

### HOSE VALVE CAP & CHAIN

<b>INLET</b>	2-1/2" NPT
<b>HOSE THREAD</b>	2-1/2" NST (STD)
	OTHER _____
<b>BODY MATERIAL</b>	CAST BRASS
<b>MAX W.P.</b>	300 PSI
<b>WEIGHT</b>	20 LBS



<b>NOT FOR CONSTRUCTION, INSTALLATION OR APPLICATION PURPOSES UNLESS CERTIFIED</b>		
CERTIFIED FOR:		
CUSTOMER ORDER NO.:	TAG NO.	
SHOP ORDER:	CERTIFIED BY:	DATE: