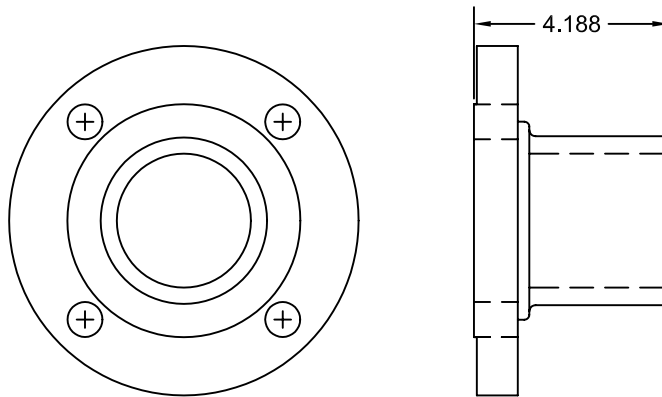




## HOSE HEADER

<b>SIZE</b>	3"
<b>CONNECTION</b>	150# R.F. FLANGE
<b>VALVE CONNECTIONS</b>	(1) 2-1/2" NPT
<b>MAX NFPA FLOW</b>	300 GPM
<b>BODY MATERIAL</b>	FABRICATED STEEL
<b>MAX W.P.</b>	175 PSI
<b>WEIGHT</b>	15 LBS



<b>NOT FOR CONSTRUCTION, INSTALLATION OR APPLICATION PURPOSES UNLESS CERTIFIED</b>		
CERTIFIED FOR:		
CUSTOMER ORDER NO.:	TAG NO.	
SHOP ORDER:	CERTIFIED BY:	DATE:

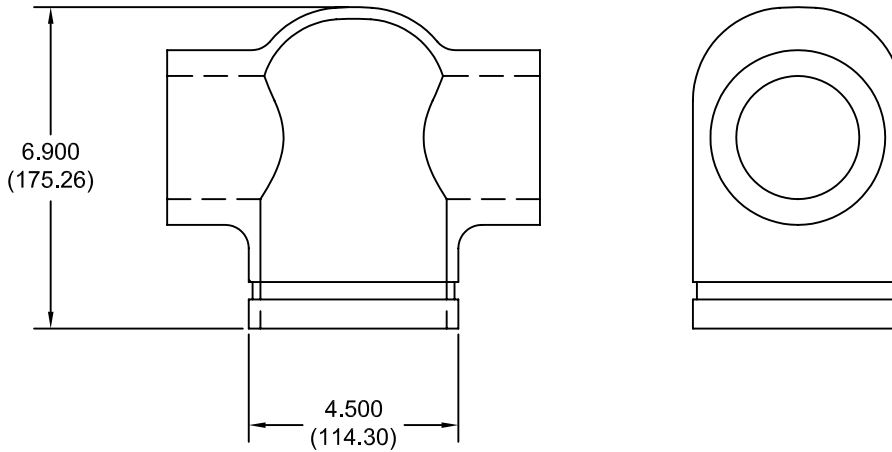


August 07

Supersedes all previous issues

### HOSE HEADER

<b>SIZE</b>	4"
<b>CONNECTION</b>	GROOVED
<b>VALVE CONNECTIONS</b>	(2) 2-1/2" NPT
<b>MAX NFPA FLOW</b>	500 GPM
<b>BODY MATERIAL</b>	CAST STEEL
	ASTM A216 GR. WCB
<b>MAX W.P.</b>	300 PSI
<b>WEIGHT</b>	15 LBS



<b>NOT FOR CONSTRUCTION, INSTALLATION OR APPLICATION PURPOSES UNLESS CERTIFIED</b>		
CERTIFIED FOR:		
CUSTOMER ORDER NO.:	TAG NO.	
SHOP ORDER:	CERTIFIED BY:	DATE:











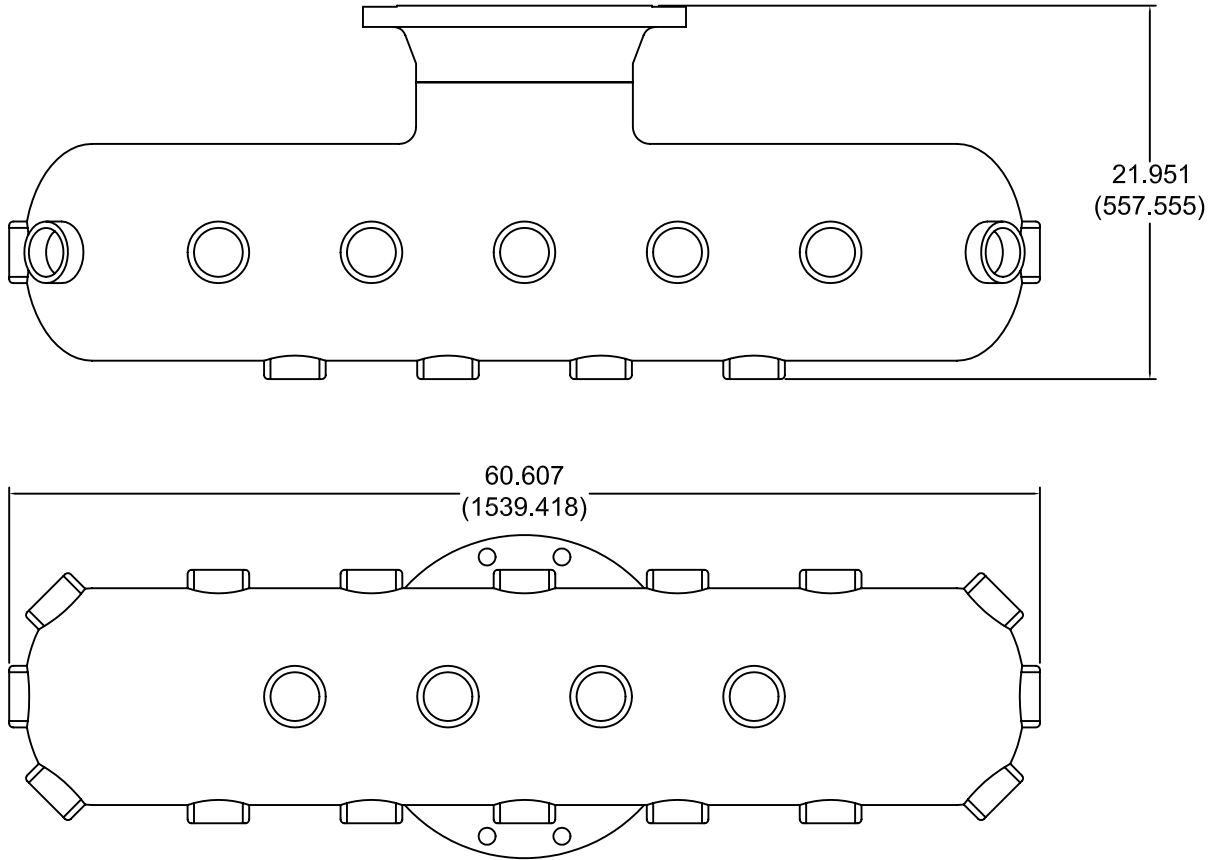


August 07

Supersedes all previous issues

### HOSE HEADER

<b>SIZE</b>	12"
<b>CONNECTION</b>	150# R.F.
<b>VALVE CONNECTIONS</b>	(20) 2-1/2" NPT
<b>MAX NFPA FLOW</b>	5000 GPM
<b>BODY MATERIAL</b>	FABRICATED STEEL
<b>MAX W.P.</b>	235 PSI
<b>WEIGHT</b>	336 LBS



<b>NOT FOR CONSTRUCTION, INSTALLATION OR APPLICATION PURPOSES UNLESS CERTIFIED</b>		
CERTIFIED FOR:		
CUSTOMER ORDER NO.:	TAG NO.	
SHOP ORDER:	CERTIFIED BY:	DATE: