



# ITT

### MAIN RELIEF VALVE

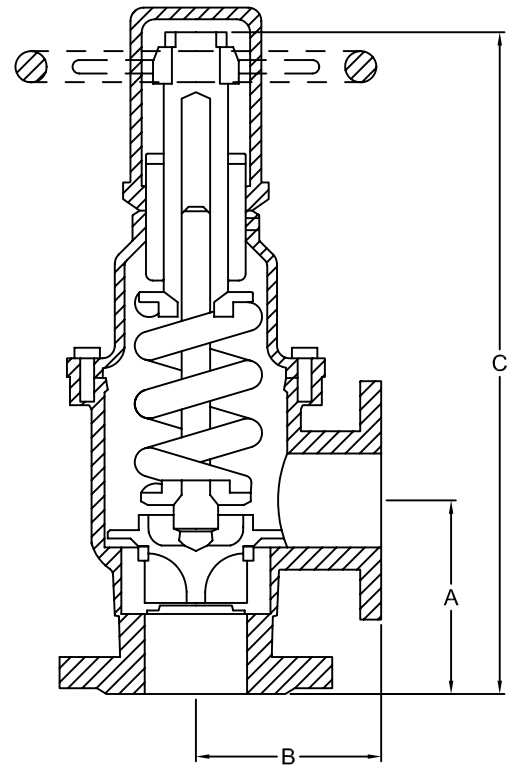
#### SIZES END DETAILS

ANGLE 3" - 6" FLANGED  
125# / 125# ANSI B16.1  
125# / 250# ANSI B16.1  
WATER, -20°F TP 406°F

#### MATERIALS

**MAIN VALVE BODY & COVER**  
IRON, A126 CLASS A OR B  
**STANDARD MAIN VALVE TRIM**  
BRONZE DISC & INSERT  
(SIZES 3" - 6")

#### UL LISTED / FM APPROVED



VALVE SIZE	INLET	OUTLET	A	B	C	MIN/MAX RANGE	APPROX WT
3x3	125# FLANGE	125# FLANGE	6.125 (155.575)	5.875 (149.225)	21.625 (549.275)	60/175	110
3x3	250# FLANGE		6.125 (155.575)	5.875 (149.225)	21.625 (549.275)	60/200	110
4x4	125# FLANGE		6.625 (168.275)	6.5 (165.1)	26 (660.4)	60/175	185
4x4	250# FLANGE		6.625 (168.275)	6.5 (165.1)	26 (660.4)	60/200	185
6x6	125# FLANGE		9.375 (238.125)	8.5 (215.9)	31 (787.4)	60/175	350
6x6	250# FLANGE		9.375 (238.125)	8.5 (215.9)	31 (787.4)	60/200	350

<b>NOT FOR CONSTRUCTION, INSTALLATION OR APPLICATION PURPOSES UNLESS CERTIFIED</b>		
CERTIFIED FOR:		
CUSTOMER ORDER NO.:	TAG NO.	
SHOP ORDER:	CERTIFIED BY:	DATE:

DIMENSIONS IN INCHES (mm)